

HIT HIT ALASKA



MANUAL

Contents

Safety Precaution	2
I. What's Included	2
II. Introduction	3
1.Specifications	3
2.External Product View.....	4
III. Product Installation and Assembly	5
1.Installation Conditions	5
2.Environment.....	5
3.Optimum Measuring Distance	5
IV.Operation	6
1.Normal Operation Process.....	6
V. Functions	8
1. How to Play.....	8
2. Rank Record.....	9
3. Ticket Refund.....	9
4. System Settings.....	10
5. Link DIP-SW Adjustment	12
6. Button and Button Light Wiring Diagram.....	13
VI. Maintenance and Inspection	14
VII. Wire Harness Outlay	14
VIII.Appendix: Item List	20

Safety Precaution

We truly thank you for your support with our company and products, and we would like to ensure your safety and maintenance of the equipment by having you read this manual before using the machine.

This manual includes the product's outline, instruction procedure, and easy troubleshooting steps.

Please keep this manual handy for a quick access when needed.

For Service in the USA contact:

Bromley Inc.

420 Crossen Ave Elk Grove Village, IL 60007

Phone:847-427-0639 Fax:847-427-9471

I. What's Included

Please make sure all parts listed below are contained in the package,

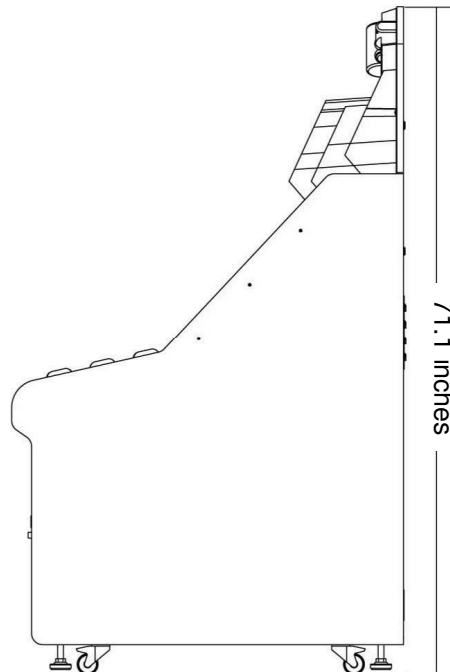
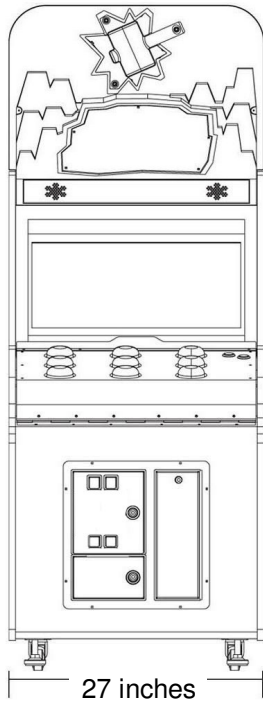
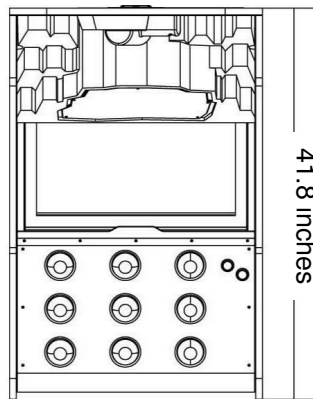
Contact your supplier if parts are missing from its package.

Accessories	Model No.	Quantity
Hit Hit Alaska	AM1100	1
Instruction Manual		1
AC Power Cord		1
Key(s)	Maintenance Coin Box	2
Network Cable	78.8 inches /RJ45	1

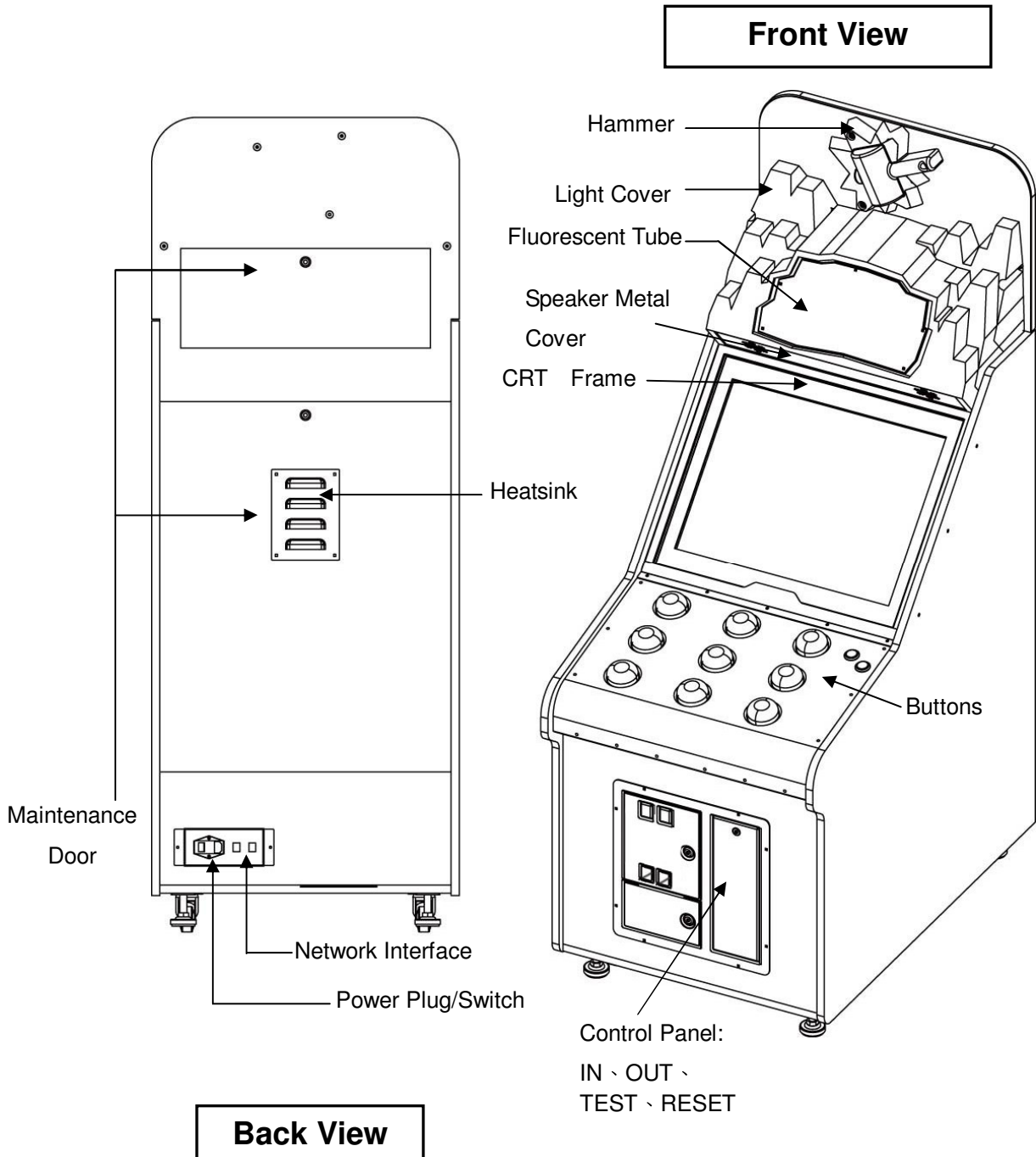
II. Introduction

1. Specifications

Items	Specification
Dimension	27 inches (W)×41.8 inches (D)×71.1 inches (H)
Weight	286 lb.
Voltage	AC110V (50~60HZ)
Power Consumption	270W
Fuse	5A(0.79 inch)
Coin Specification	0.87 inch ~1.06 inch (adjustable)



2.External Product View



III. Product Installation and Assembly

1. Installation Conditions

Environment	Indoor Use Only
Temperature	32°F~104°F
Humidity	10%~70%

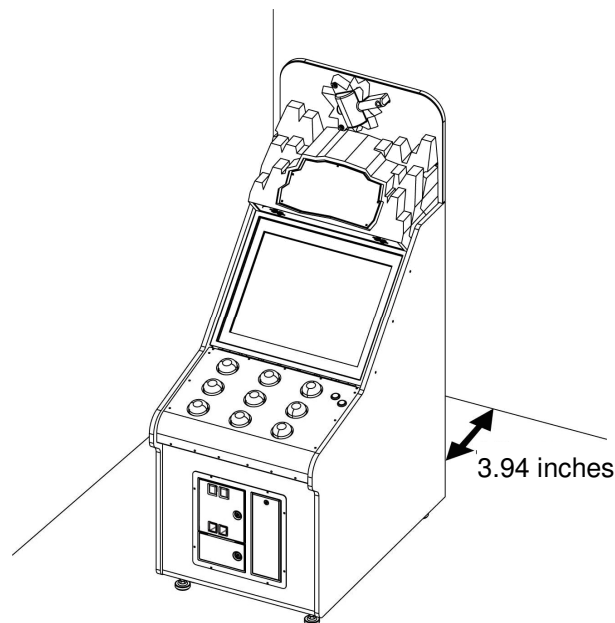
2. Environment

Please do not install nor place the machine at any of the following locations:

- 1 \ A place that is highly exposed to rain and water leakage.
- 2 \ Under direct sunlight.
- 3 \ Close to high temperature devices.
- 4 \ Near an emergency exit or by fire extinguishers.
- 5 \ Next to chemicals and high explosive devices.
- 6 \ Optimum environmental temperature ranges from 41°F~104°F
- 7 \ On a slope or tilted surface.
- 8 \ In the middle of the corridor.

3. Optimum Measuring Distance

- It is best to maintain a distance of 31.5 inches for players to stand.
- 3.94 inches of space is needed between the wall and the machine itself for power cord.

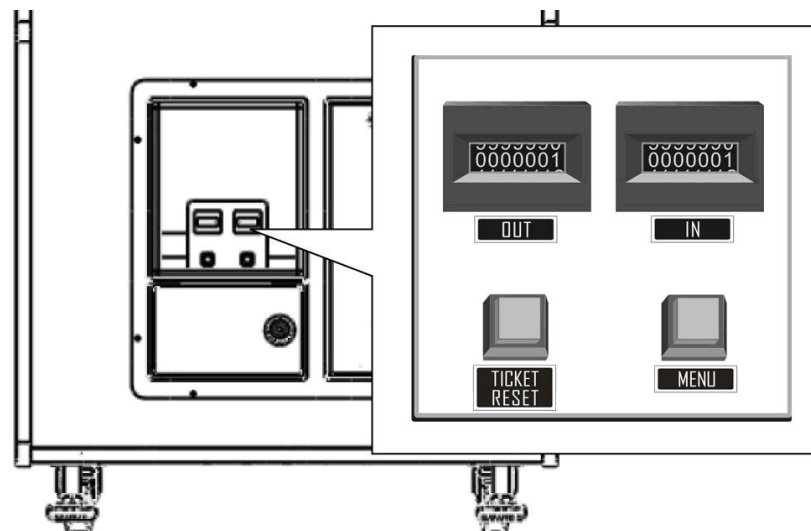
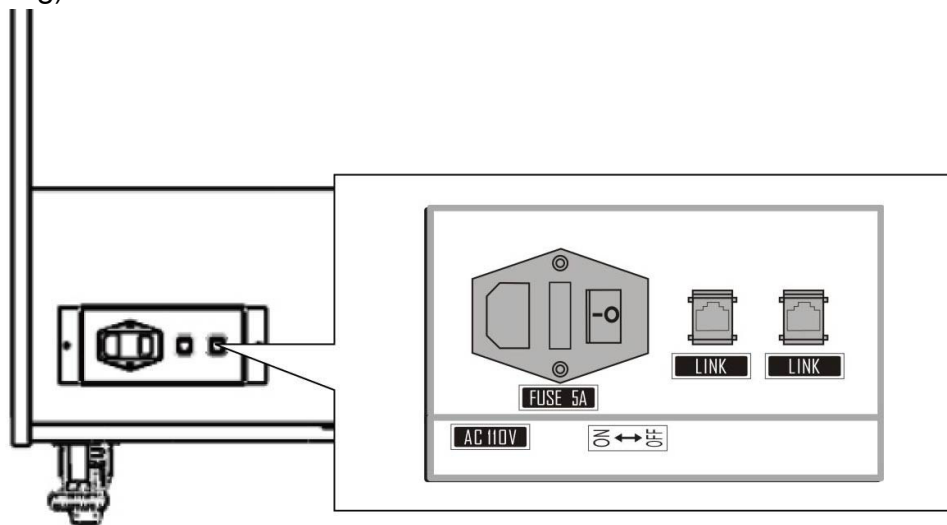


IV. Operation

1. Normal Operation Process

1. Connecting the Power Cord

1. Plug-in the power cord to its power plug underneath the power switch in the back panel on the lower right of the machine.
2. Make sure it is AC 110V before plugging into the socket (Make sure the ground is securely plugged into the outlet).
3. Turn on its power from the back side of the machine. (Machine will start running)



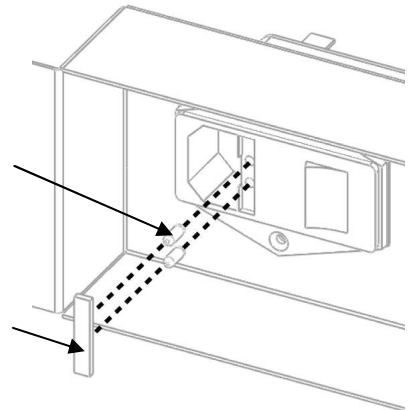
2. Changing the Fuse

Changing fuse from the main power source :

Fuse for the main power source is located in the back panel, on the lower right of the machine.

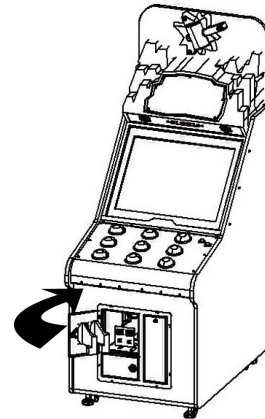
FUSE
0.79 inch / 5A

Fuse Cover



3. Opening the Button Panel

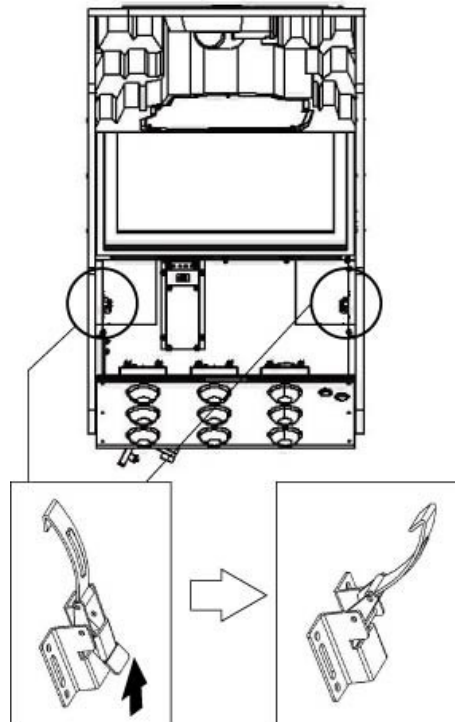
1. Open the coin door with the key



2. Release the hook by pulling the latch on the left side.

3. Then pull the latch on the right side.

4. Now pull the button panel towards you to open it.











V. Functions

1. How to Play

A total of 2 different stages are in the game. There are 2 rounds in the 1st stage, 3 rounds in the 2nd stage, also with an added Bonus Stage at the end of the game when the player reaches the passing score.

1st Round of stage 1

8 different types of animals and treasure chest will appear in this round.

				Hit once	
	Hit twice			Hit 3 times	
	Treasure Chest will appear after hitting this item 8 times.			Treasure Chest appears as the bonus item at this stage.	

2nd Round of stage 1: Fighting the Big Boss



Continuously pressing the button as fast as possible to gain as much points as possible within the allowed amount of time

1st Round of stage 2: Same as the 1st round of stage 1, but faster.

2nd Round of stage 2: Ninja Penguin



The most difficult stage of the game, because ninja penguins will jump from holes to holes.

3rd Round of stage 2: Penguin Infantry



Very last round and stage of this game

Bonus Stage: Only if any of the players score up to 5000 or more in a single play or within the linked mode.

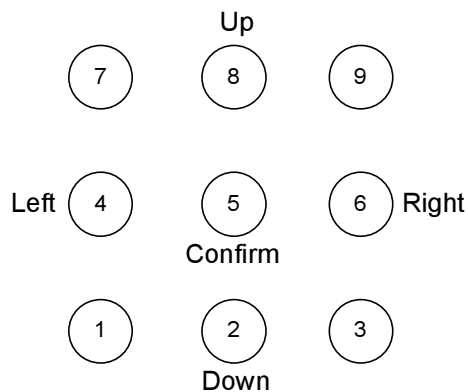


Continuously pressing buttons 1 and 3 to make the elephant walk as many steps as possible within the allowed amount of time.

2. Rank Record

Players are able to sign-in when they've achieve the highest score.

Following buttons will show the player how it operates.



3. Ticket Refund

Players will receive tickets after each game if ticket refund is set in the game.

Single Play

Score under 5000: Release the minimum amount of tickets.

Score over 5000: Release double amount of tickets.

Alarm will go off and "TICKET ERROR" will display on the monitor when tickets are used up in the ticket dispenser.

Press "TICKET RESET" or "RESET" the machine after solving the problem. The remaining tickets will release automatically after the procedure.

4. System Settings

1. Press "CHECK" on the control panel to enter the setting screen.

MENU

- ① AUDITS
- ② IO TEST
- ③ SOUND VOLUME
- Ⓐ EXIT

LINK NUMBER

BUTTON FUNCTION

- ① HIT POSITION 1
- ② HIT POSITION 2
- Ⓐ SINGLE PLAY
- Ⓑ LINK MODE

2. Press "1" to enter the "AUDITS" Mode.

AUDITS

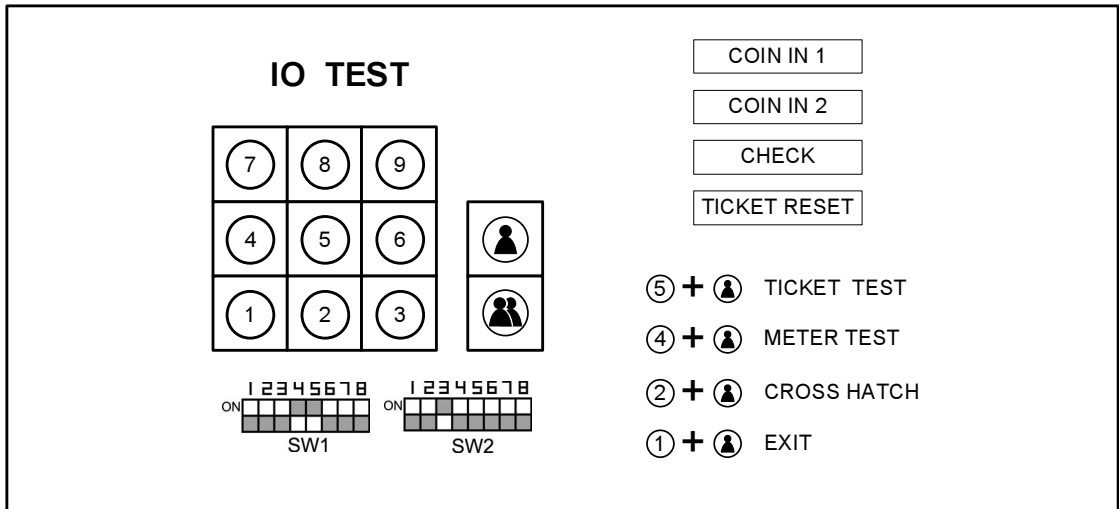
LINK NUMBER	2
COIN INPUT	12
TICKET COUNT	12
GAME COUNT	12
1P SELECT	3
LINK SELECT	9
POWER ON TIME	1:25:42
GAME TOTAL TIME	1:08:26
1GAME AVERAGE TIME	5:27

Ⓐ EXIT

① + Ⓐ CLEAR





3. Press "2" to enter the "IO TEST" Mode.

IO TEST



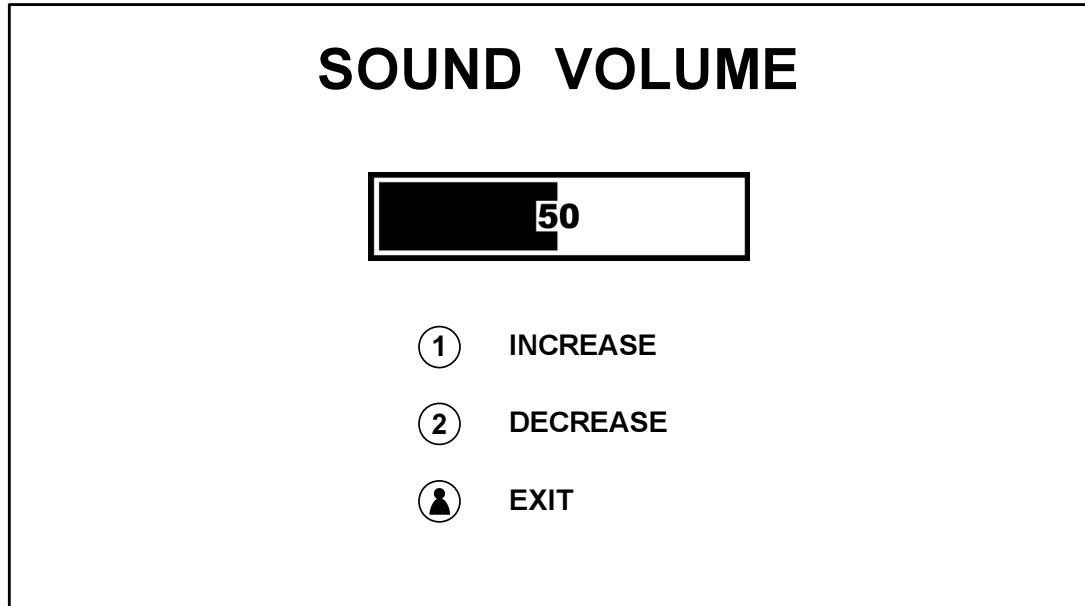
The diagram shows the IO TEST mode interface. It features a 3x3 grid of buttons numbered 1 to 9. To the right of the grid are two buttons with person icons. Below the grid are two 8-position indicator lights labeled SW1 and SW2. On the right side, there are four buttons: COIN IN 1, COIN IN 2, CHECK, and TICKET RESET. A legend on the right lists the functions for each button: 5 + person icon for TICKET TEST, 4 + person icon for METER TEST, 2 + person icon for CROSS HATCH, and 1 + person icon for EXIT.

COIN IN 1
COIN IN 2
CHECK
TICKET RESET


⑤ +  TICKET TEST
④ +  METER TEST
② +  CROSS HATCH
① +  EXIT

4. Press "3" to enter the "SOUND VOLUME" Mode.

SOUND VOLUME



The diagram shows the SOUND VOLUME mode interface. It features a volume bar with a black fill and the number 50 in the center. Below the bar are three options: 1 INCREASE, 2 DECREASE, and a person icon EXIT.

① INCREASE
② DECREASE
 EXIT

5. Link DIP-SW Adjustment

1 = ON
0 = OFF

DIP SW 1		1	2	3	4	5	6	7	8	
LINK NUMBER SET UP	DEFAULT SETTING	0	0	0						
	GAME SET UP	EASY			0	0				
		NORMAL			1	0				
		* HARD			0	1				
VERY HARD				1	1					
MUSIC	OFF							0		
	* ON							1		
RECORD	* KEEP THE RECORD								0	
	NEW RECORD								1	

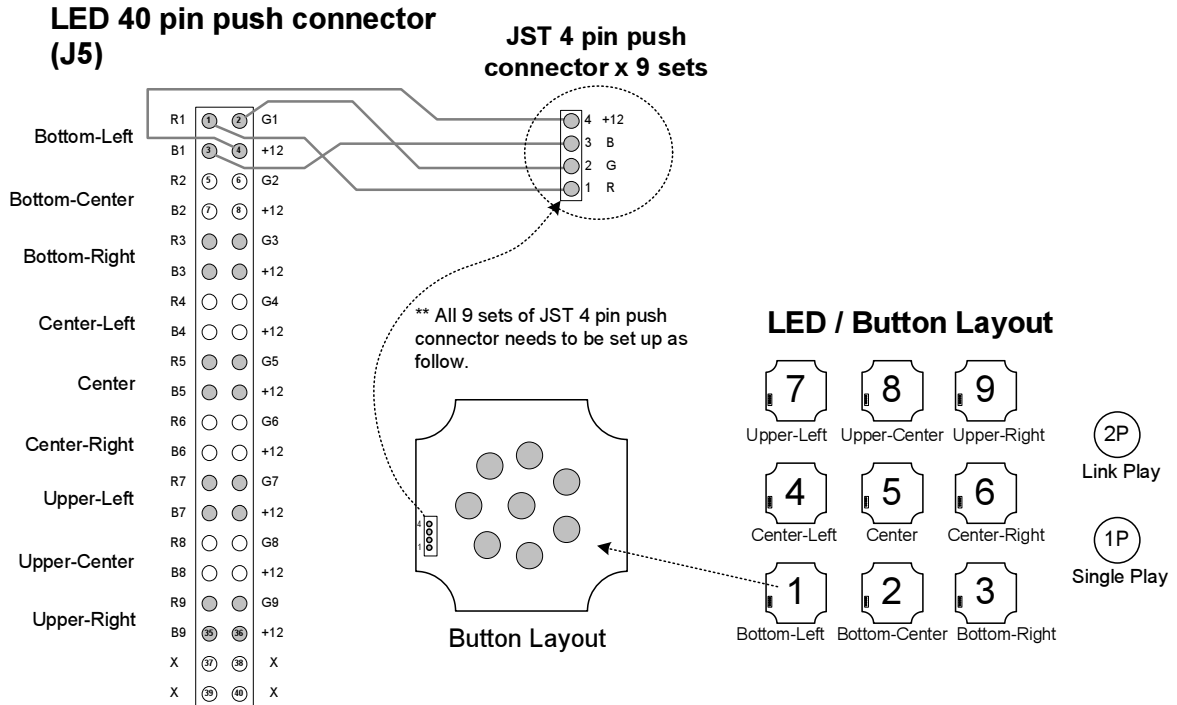
1 = ON
0 = OFF

DIP SW 2		1	2	3	4	5	6	7	8
COIN SET UP	* 1 coin : 1 credit	0	0						
	2 coin : 1 credit	1	0						
	3 coin : 1 credit	0	1						
	4 coin : 1 credit	1	1						
TICKET ENABLE	NO TICKET			0					
	* TICKET ENABLE			1					
MULTIPLE OF TICKETS SET UP	* 3 TICKETS				0	0	0		
	4 TICKETS				1	0	0		
	5 TICKETS				0	1	0		
	6 TICKETS				1	1	0		
	7 TICKETS				0	0	1		
	8 TICKETS				1	0	1		
	9 TICKETS				0	1	1		
10 TICKETS				1	1	1			
MERCY TICKET	0 TICKETS							0	0
	* 1 TICKETS							1	0
	2 TICKETS							0	1
	3 TICKETS							1	1

Ticket Count

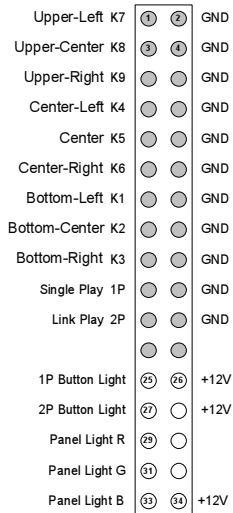
The player will receive 3 tickets for the first 1000 points, and a ticket for every 1000 points after. For example, $1000 + 2000 + 260 = 3260$, therefore, the player will receive 3 basic tickets + 2 additional tickets = 5 tickets total.

6. Button and Button Light Wiring Diagram



28 pin edge connector

Button 34 pin push connector (J4)

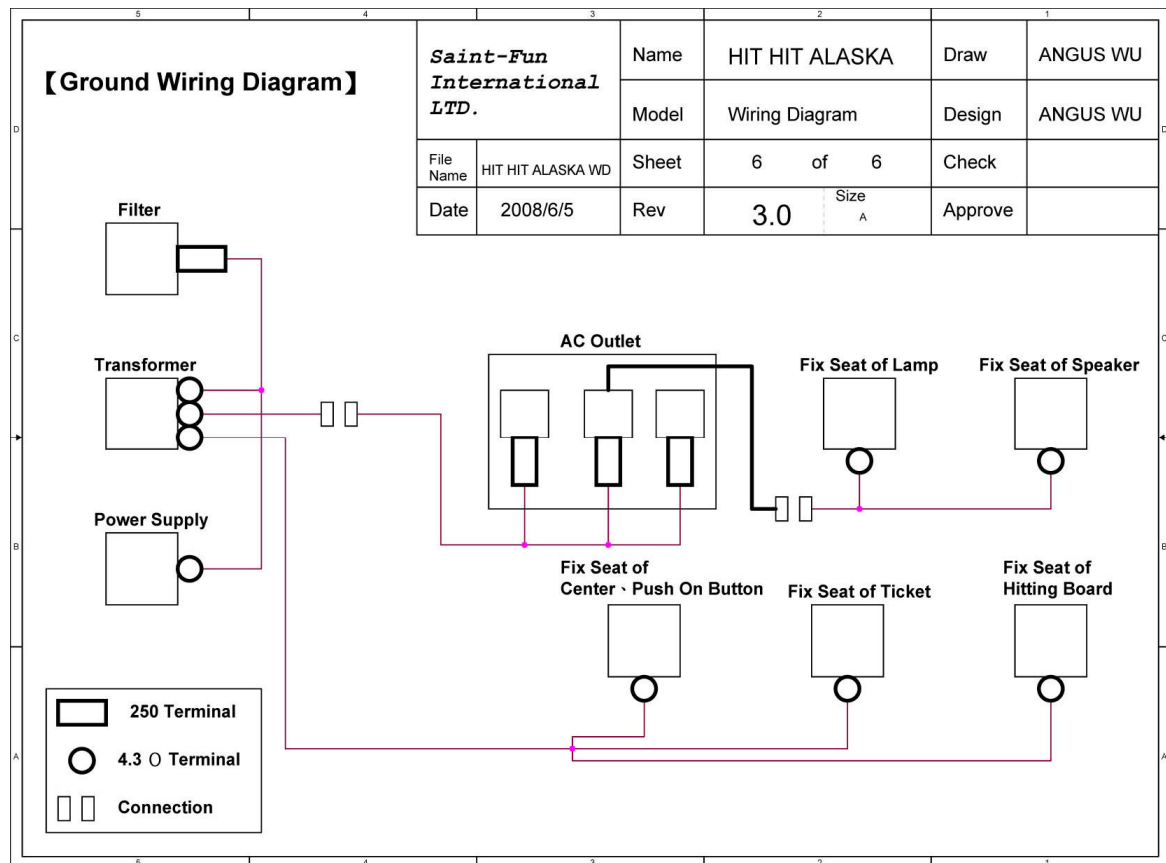


Button Layout		Zinc & Tin Side
GND	1	GND
GND	2	GND
+5V	3	+5V
+5V	4	+5V
	5	
+12V	6	+12V
	7	
Ticket In	8	Game Account Meter
Ticket Counter	9	Coin-Mech. Meter
Speaker	10	Speaker
	11	Speaker (GND)
	12	
	13	
	14	
CHECK	15	
COIN IN 1	16	COIN IN 2
TICKET RESET	17	
	18	
	19	
	20	
	21	
	22	
	23	
	24	
	25	
	26	Ticket Enable Mech OUT (Hopper)
GND	27	GND
GND	28	GND

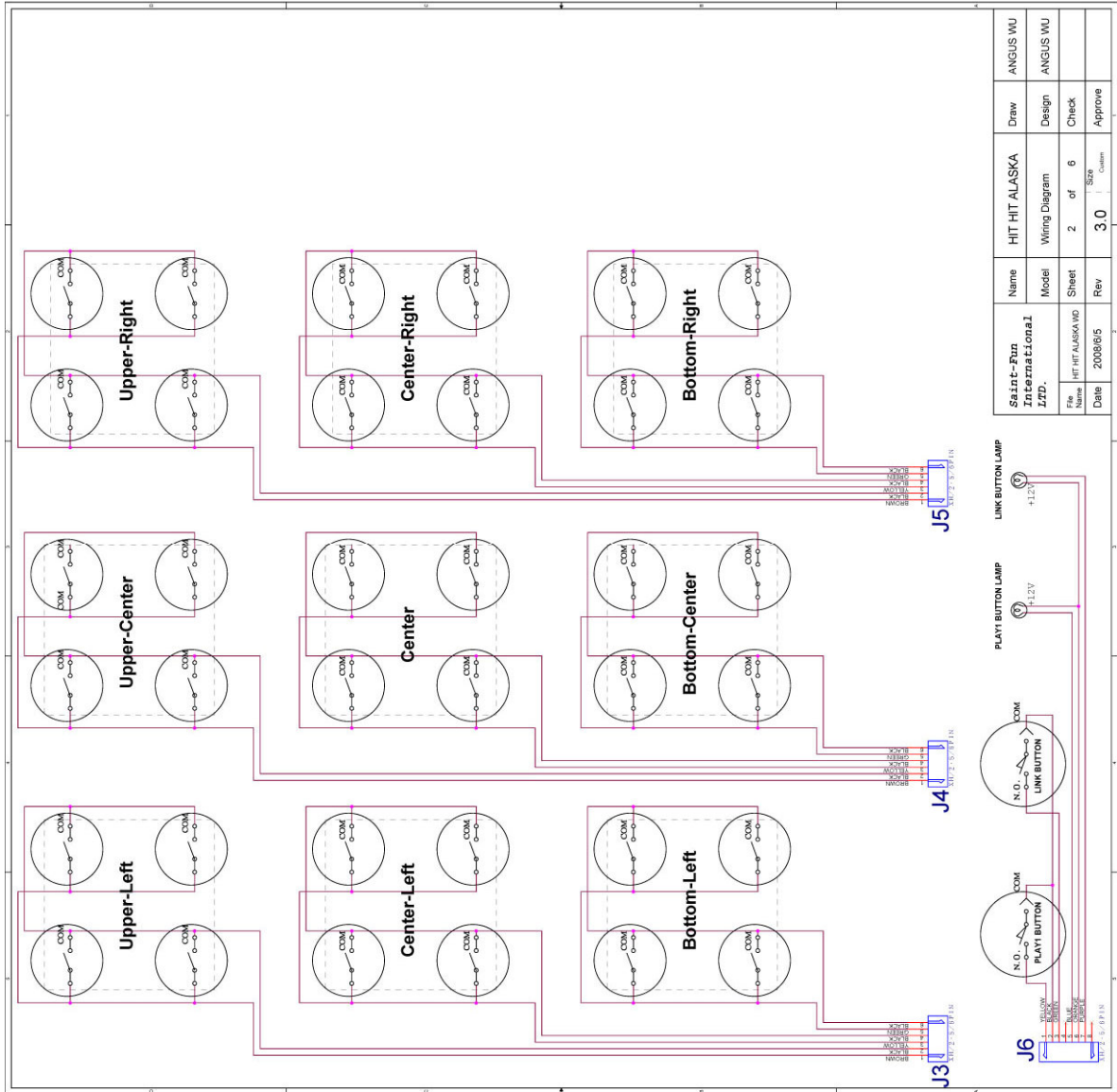
VI. Maintenance and Inspection

- Keep the machine clean by using mild types of cleaners
- Clean the machine regularly to maintain its appearance.
- The appliance must not be cleaned by a water jet.
- Treat acrylic with care by using Windex.

VII. Wire Harness Outlay

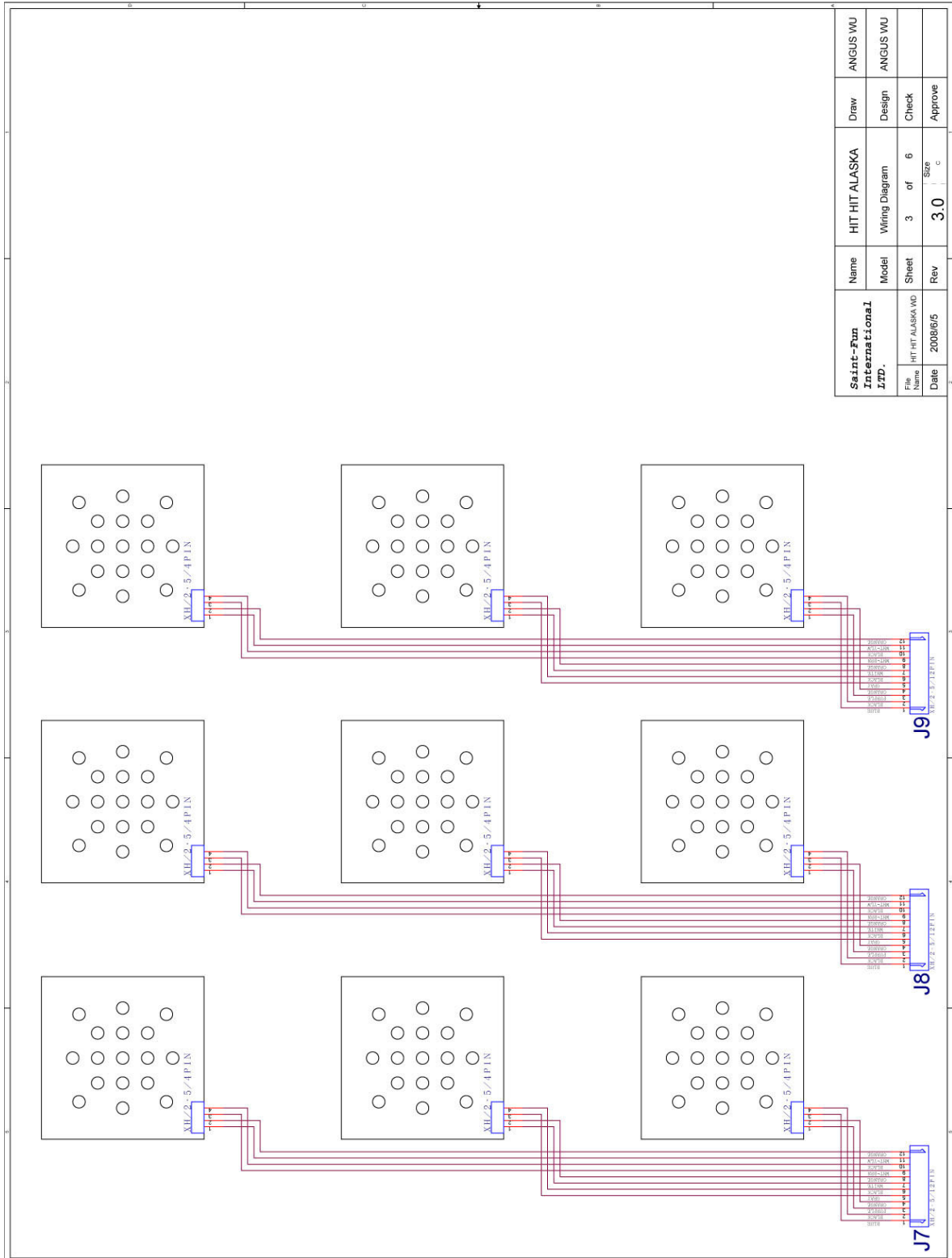


HIT HIT ALASKA

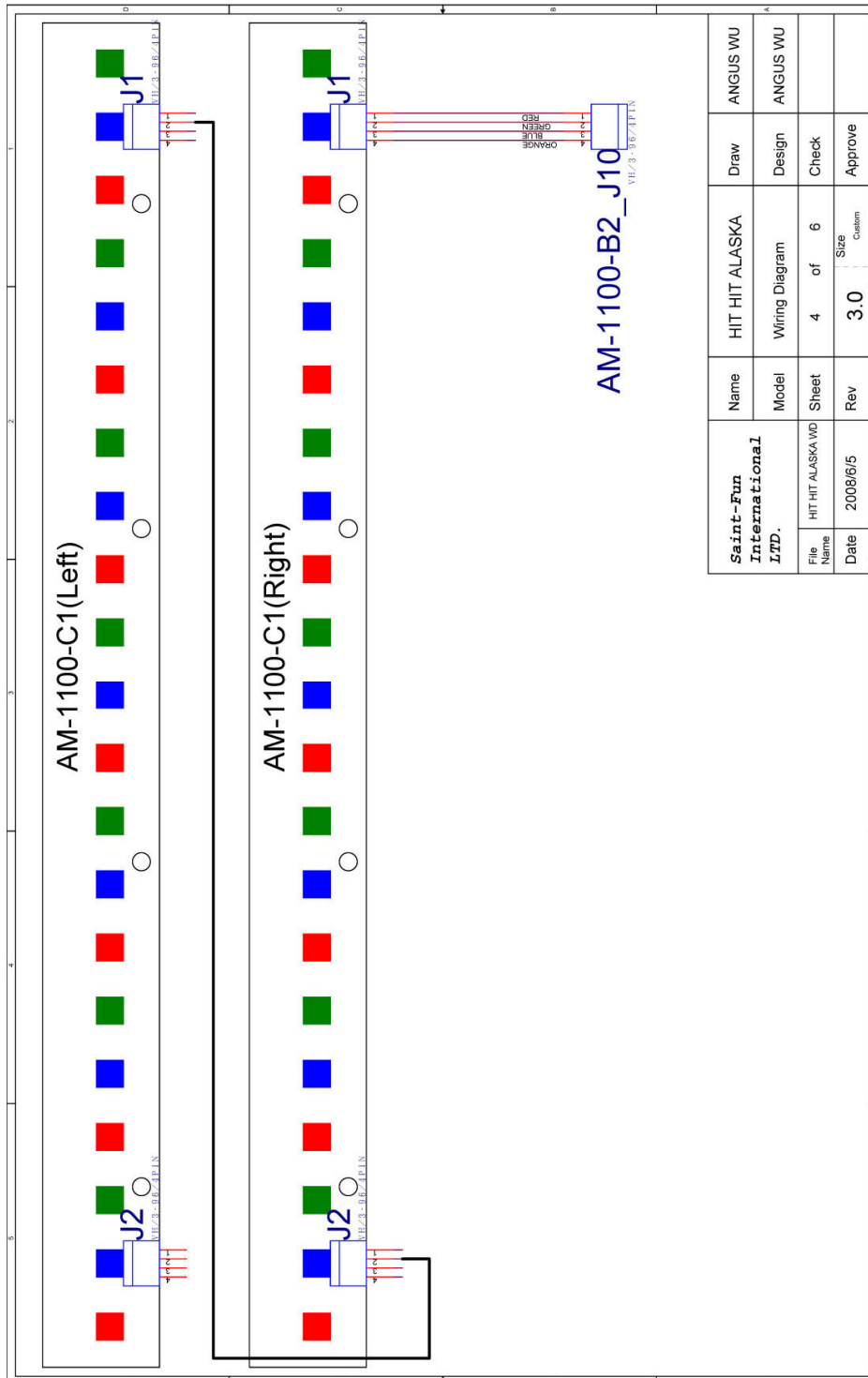


Saint-Fuz International LTD.	Name HIT HIT ALASKA	Draw ANGUS WU
File Name HIT HIT ALASKA.WD	Model Wiring Diagram	Design ANGUS WU
Date 2008/6/5	Sheet 2 of 6	Check []
	Rev 3.0	Approve []

HIT HIT ALASKA

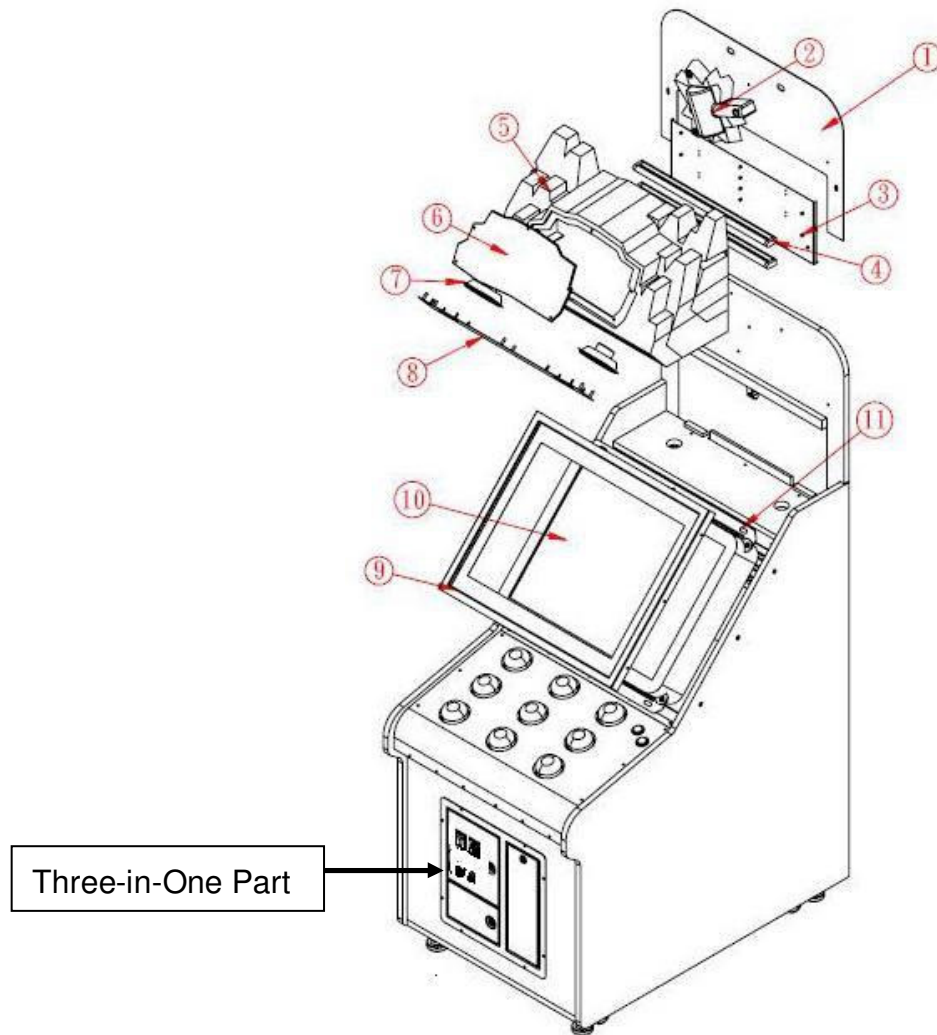


Saint-Fun International LTD.		Name	HIT HIT ALASKA	Draw	ANGUS WU
File Name	HIT HIT ALASKA.WD	Model	Wiring Diagram	Design	ANGUS WU
Date	2008/6/5	Sheet	3 of 6	Check	
		Rev	3.0	Approve	
			Size		

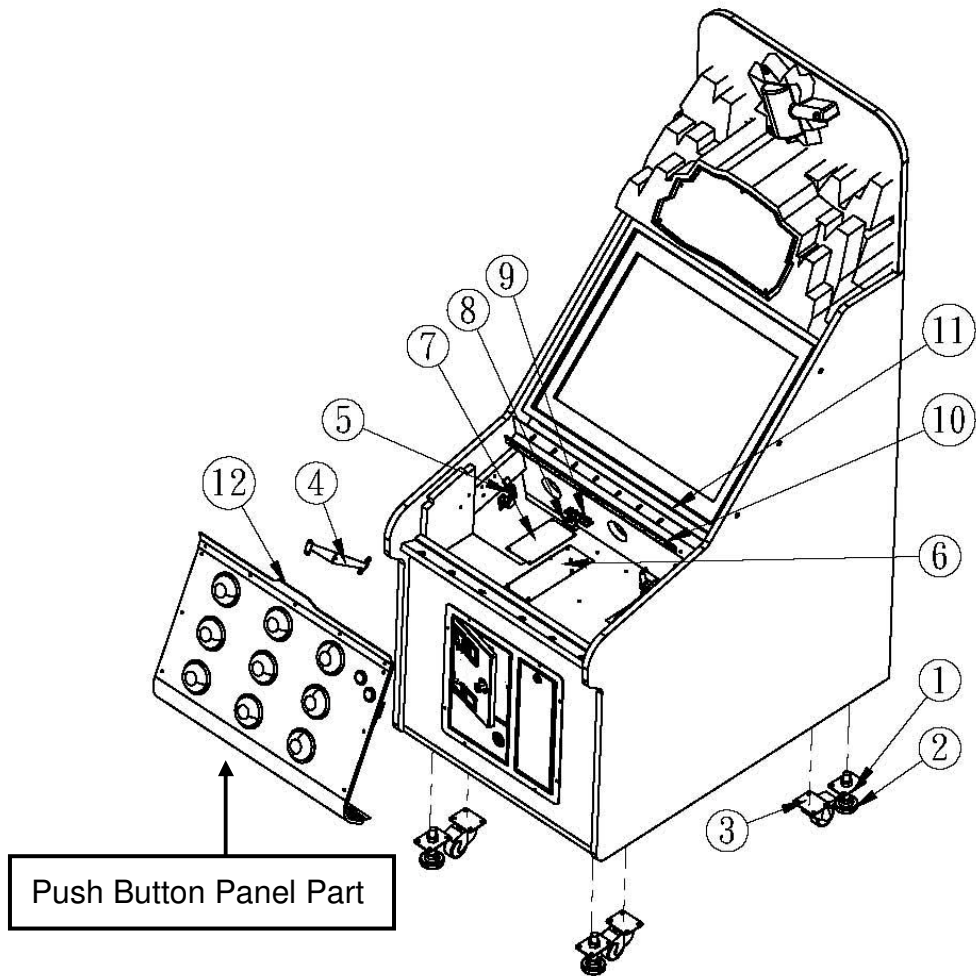


Saint-Fun International LTD.		Name	HIT HIT ALASKA	Draw	ANGUS WU
File Name	HIT-HIT-ALASKA.WD	Model	Wiring Diagram	Design	ANGUS WU
Date	2008/6/5	Sheet	4 of 6	Check	
		Rev	3.0	Approve	
			Size	Custom	

VIII.Appendix: Item List

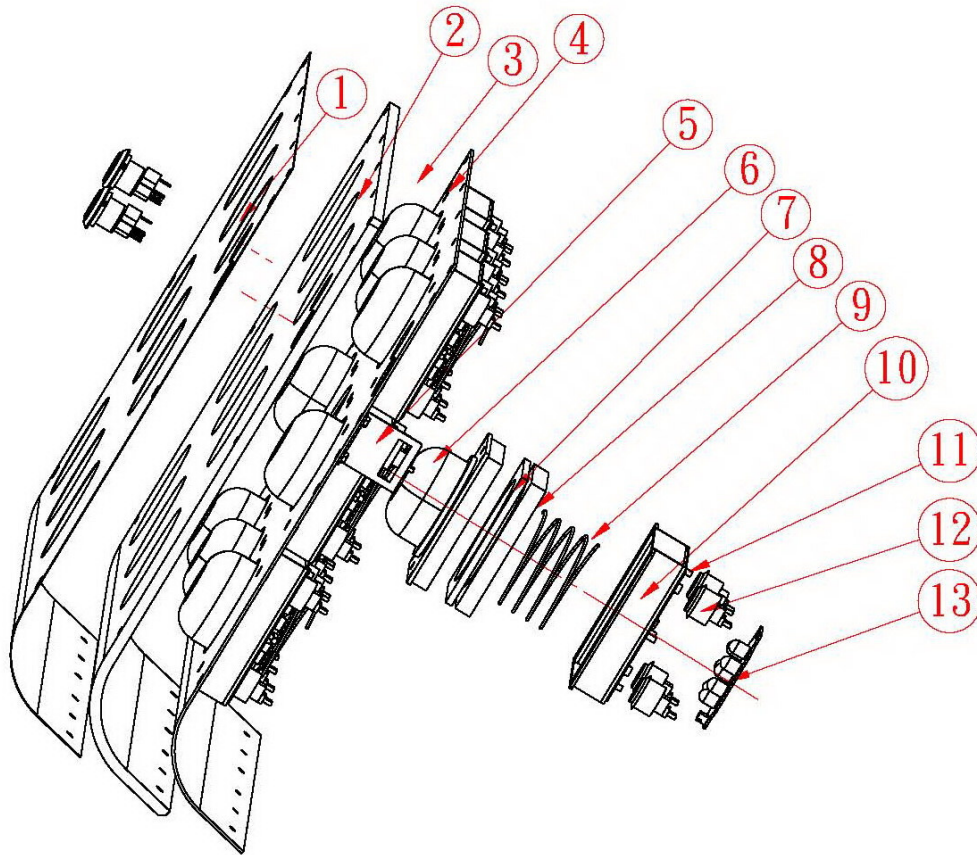


No.	Specification	Part Numbers	Quantity
1	1100 Signboard Acrylic	1121-15400301	1
2	1090 Integral Vacuum Hammer	1114-15300101	1
3	1100 Fluorescent Supporter	1132-15400301	1
4	Fluorescent (8W)(ROHS CE)	0963-00001205	2
5	1100 Integral Vacuum Upper Light Box	1114-15300201	1
6	1100 Light Box Acrylic	1121-15400201	1
7	Speaker (5W8 Ω Oval)	0931-00000101	2
8	1100 Speaker Iron Board	1121-15400101	1
9	1100 CRT Frame	1134-15400201	1
10	29" TV Picture Tube High DPI (CH-2948A)	0993-00002211	1
11	1100 CRT Firm Iron	1131-15400101	2



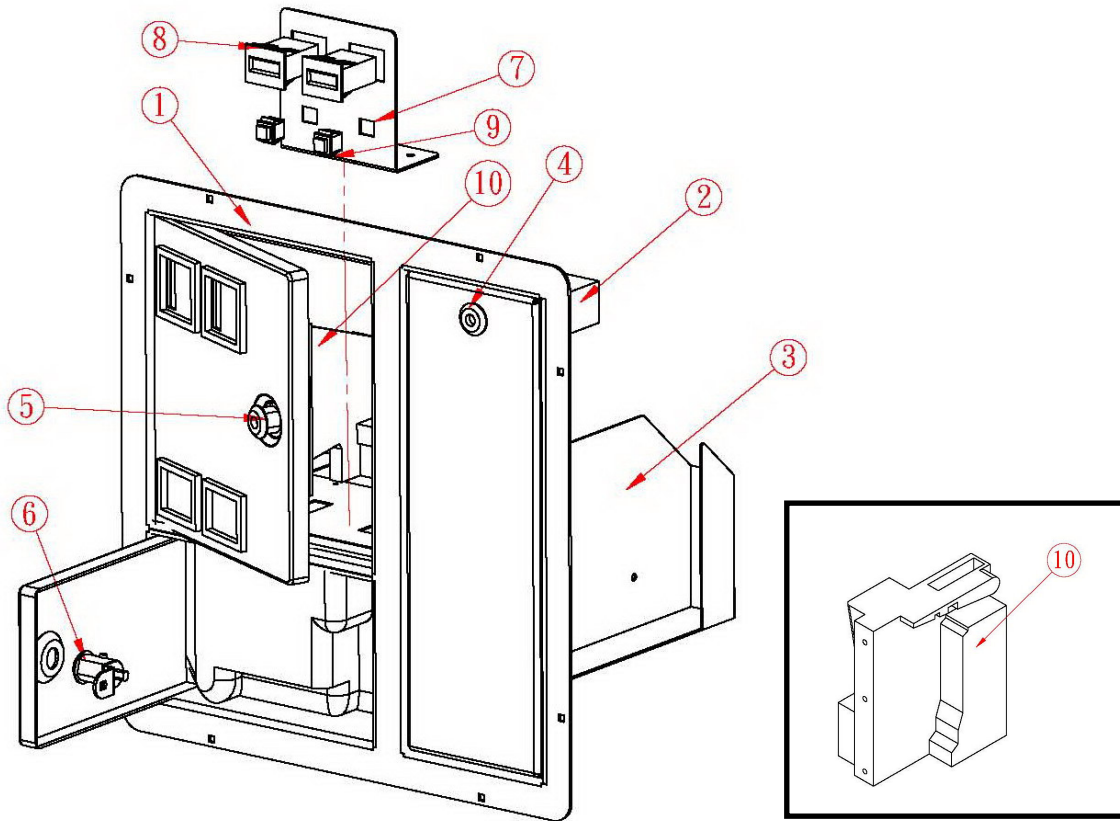
No.	Specification	Part Numbers	Quantity
1	Leg Leveler Board	1132-10000401	8
2	Leg Leveler(Black)	1155-00001201	8
3	Roller	1155-00001101	8
4	Joint Stay(Right) JHB-82-1	1134-12702501	1
5	Lock Hook K1-03	1175-00000401	2
6	CRT Control Panel Mounting Bracket	1132-15400501	1
7	IO Transformer Board(AM-1100-B3.1)	5045-15400101	1
8	CRT Monitor Adjust Pilot Board	0993-00002201	1
9	CRT Monitor Adjust Board	0993-00002201	1
10	AM1100 LED Board (AM-1100-C1)	5043-15400101	2
11	1100 Acrylic LED Mounting Bracket	1132-15400201	1
12	1100 Connector Metal	1123-15400101	1

Push Button Panel Part

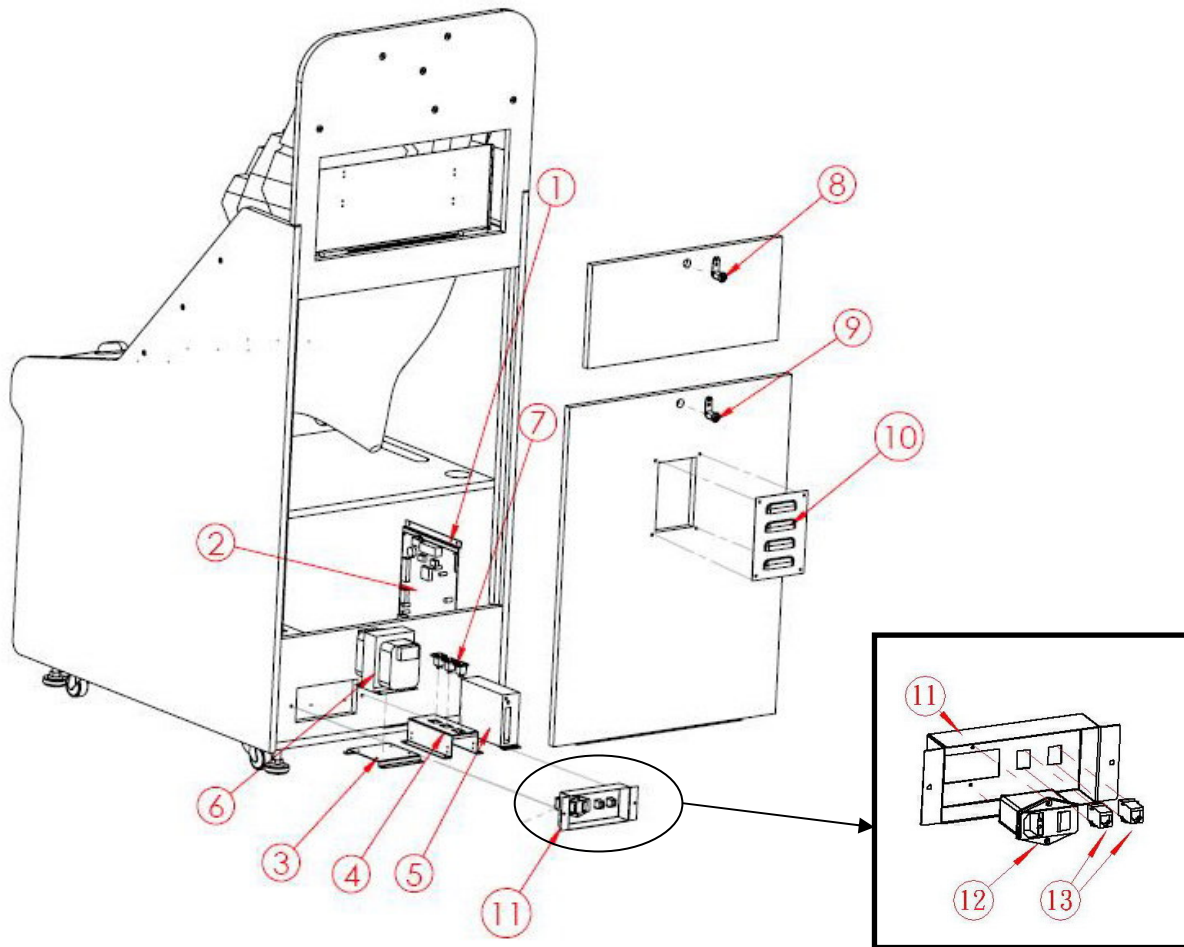


No.	Specification	Part Numbers	Quantity
1	LED Color Round Button-Blue	0944-00002231	2
2	1090 Push Button PVC	1121-15300101	1
3	1090 Push Button Panel Acrylic	1121-15300201	1
4	1100 Push Button Panel	1134-15400301	1
5	1100 L Form Metal Clip of Push Button Panel	1134-15400101	2
6	1100 Button Lamp Shade	1113-15400101	9
7	1100 Button Sponge(upper)	1148-15400101	9
8	1100 Button Sponge(lower)	1142-15400201	9
9	1100 Leaf Spring $\varphi 74, t=1.8\text{mm}$	1141-15400101	9
10	1100 Button Lamp Shade Mounting Bracket	1134-15400401	9
11	1100 Control Panel	1131-15400201	9
12	Push Button (G101 Red)	0944-00000312	36
13	AM1100 Push Button LED Light Board	5943-15400101	9

Three-in-One Part



No.	Specification	Part Numbers	Quantity
1	Three –In-One Door(Blue)	1134-00000101	1
2	Ticket Dispenser (TICKET GAME 3)	0918-00000811	1
3	1010 Three-In-One Ticket Box (RoHS)	1134-14602305	1
4	Lock C581(KA)	1234-00006801	1
	Three-In-One Door (Rotary-N Type)	1134-15400701	1
5	Lock C581(KA)	1234-00006801	1
	Three-In-One Door (Rotary-N Type)	1134-15400701	1
6	Lock C581(KA)	1234-00006901	1
	Three-In-One Door (Rotary-N Type)	1134-15400701	1
7	Counter Mounting Bracket	1138-15400101	1
8	PIN Counter (Digit in 7)	0922-00000601	2
9	Push Button (Red)	0946-00000205	2
10	Coin Selector (HS-05CS)	1291-00003201	2



No.	Specification	Part Numbers	Quantity
1	1100 PCB Main Board Supporter Mounting Bracket	1132-15400501	1
2	AM1100 Main Board (International)	5941-15400101	1
3	1100 Power Supply Mounting Bracket	1132-15400701	1
4	1100 Outlet Mounting Bracket	1132-15400401	1
5	Power Supply(WY/15CG2/5V15)	0992-00002701	1
6	Power Isolation Transformer (TTA-22002200ATDF)	092300003301	1
7	Power Inlet (AC-007U)	0972-00000702	3
8	Lock C583(KA)	1234-00006901	1
9	Lock C583(KA)	1234-00006901	1
10	1100 Vent Panel	1122-15400101	1
11	1100 Power Inlet Mounting Bracket	1134-15400501	1
12	Inverter (YQ06A1)	092400000501	1
13	Embedding Plug 8P-8CJAK(RJ45)	0732-00000006	2